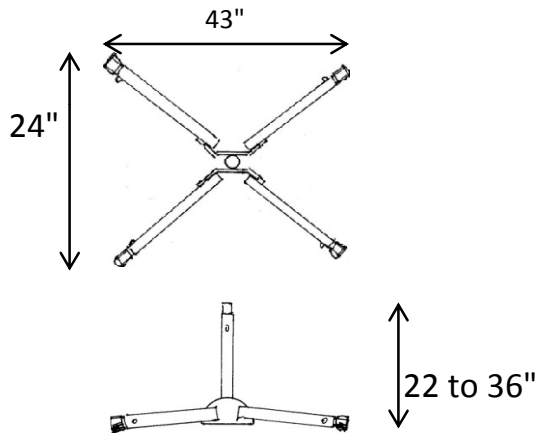
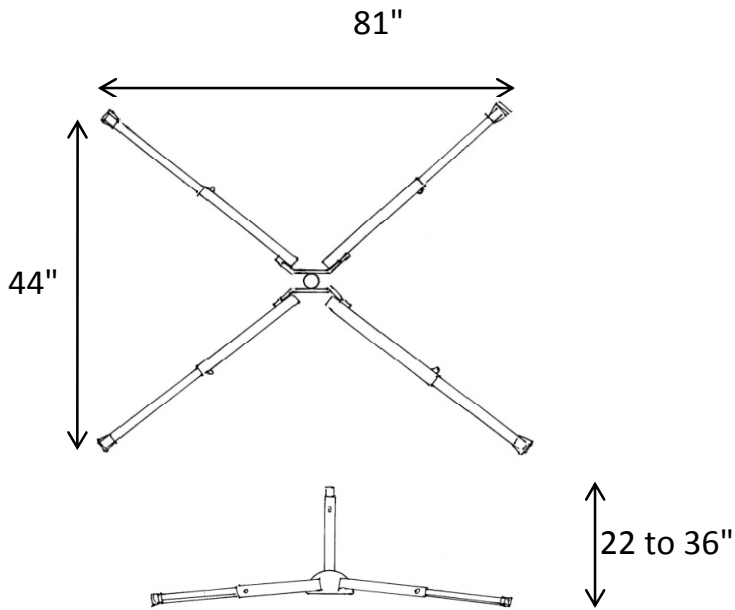
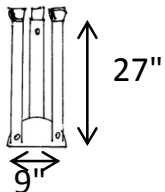


# POPnWORK STN1 spec sheet



STORAGE POSITION



## STN1 DISCRIPTION

ALL STEEL ADJUSTABLE UMBRELLA  
STAND

81" X 44" FOOTPRINT

WEIGHT 25 lbs

## FRAME

CORROSION RESISTANT GALVANIZED STEEL

TWO POSITION TELESCOPING LEGS

HEAVY DUTY RUBBER FOOT ON  
EACH LEG

## ADDITIONAL FEATURES

HEIGHT ADJUSTMENT 22" TO 36"

STORAGE STRAP TO SECURE THE LEGS  
IN UPRIGHT POSITION